



Title	Capacitive Energy Conversion with Circuits Implementing a Rectangular Charge-Voltage Cycle Part 1: Analysis of the Electrical Domain
Authors(s)	Galayko, Dimitri, Dudka, Andrey, Karami, Armine, O'Riordan, Eoghan, Blokhina, Elena, Feely, Orla, Basset, Philippe
Publication date	2015-11
Publication information	Galayko, Dimitri, Andrey Dudka, Armine Karami, Eoghan O'Riordan, Elena Blokhina, Orla Feely, and Philippe Basset. "Capacitive Energy Conversion with Circuits Implementing a Rectangular Charge-Voltage Cycle Part 1: Analysis of the Electrical Domain." IEEE, November 2015. https://doi.org/10.1109/TCSI.2015.2451911 .
Publisher	IEEE
Item record/more information	http://hdl.handle.net/10197/8761
Publisher's statement	© 2015 IEEE. Personal use of this material is permitted. Permission from IEEE must be obtained for all other uses, in any current or future media, including reprinting/republishing this material for advertising or promotional purposes, creating new collective works, for resale or redistribution to servers or lists, or reuse of any copyrighted component of this work in other works
Publisher's version (DOI)	10.1109/TCSI.2015.2451911

Downloaded 2026-05-01 23:35:21

The UCD community has made this article openly available. Please share how this access benefits you. Your story matters! (@ucd_oa)



© Some rights reserved. For more information

Capacitive Energy Conversion with Circuits Implementing a Rectangular Charge-Voltage Cycle Part 1: Analysis of the Electrical Domain

Dimitri Galayko, *Member, IEEE*, Andrii Dudka, Armine Karami, *Student Member, IEEE* Eoghan O’Riordan, *Student Member, IEEE* Elena Blokhina, *Senior Member, IEEE* Orla Feely, *Fellow, IEEE* and Philippe Basset

Abstract—Capacitive kinetic energy harvesters (KEH) employ conditioning circuits which achieve a dynamic biasing of the transducer’s variable capacitor. This paper, composed of two articles Part 1 and Part 2, proposes a unified theory describing electrical and electromechanical properties of an important and wide class of conditioning circuits: those implementing a rectangular charge-voltage cycle. The article Part 1 introduces a basic configuration of conditioning circuit implementing an ideal rectangular QV cycle, and discusses its known practical implementations: the Roundy charge pump with different flyback mechanisms, and configurations based on the Bennet’s doubler. In Part 1, the analysis is done in the electrical domain, without accounting for electromechanical coupling, while in Part 2, the full electromechanical system is analyzed. An optimization approach common to all configurations is proposed. A comparison is made between different topologies and operation modes, based on the maximal energy converted in one cycle under similar electrical and mechanical conditions. The last section discusses practical implementation of circuits with smart and adaptive behaviour, and presents experimental results obtained with state-of-the-art MEMS capacitive KEH devices.

Index Terms—capacitance, circuit analysis, DC-DC power conversion, power systems, switched systems, energy harvesting

I. INTRODUCTION

Microscale kinetic energy harvesters (KEH) are considered a useful complement to other available power sources such as chemical batteries and solar cells. Microscale KEHs are a relatively new class of device, which emerged a little over a decade ago [1]. The interest in microscale energy harvesting is explained by the success of micromachining technologies allowing a fabrication of very efficient miniature electromechanical systems (MEMS). KEHs are complex heterogeneous systems: they require advanced engineering of mechanical and electrical parts, and their operation is described by nonlinear multiphysics models. The electromechanical conversion mechanism is the main aspect distinguishing different implementations of KEH.

D. Galayko, A. Karami and A. Dudka are with Sorbonne Universités, UPMC Univ Paris 06, UMR 7606, LIP6, F-75005, Paris, France

E. O’Riordan, E. Blokhina and O. Feely are with School of Electrical, Electronic and Communications Engineering, University College Dublin, Ireland

P. Basset is with Université Paris-Est, ESYCOM, ESIEE Paris, Noisy Le Grand, France.

Copyright (c) 2015 IEEE. Personal use of this material is permitted. However, permission to use this material for any other purposes must be obtained from the IEEE by sending an email to pubs-permissions@ieee.org.

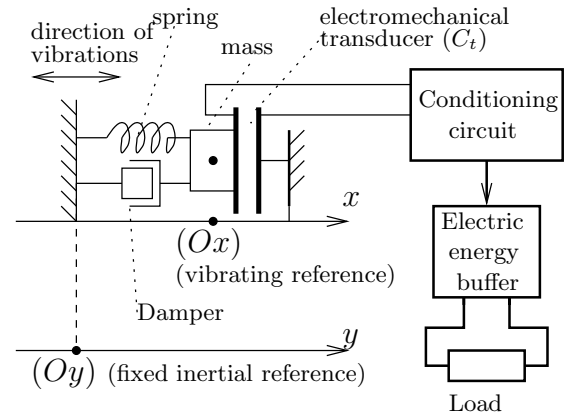


Fig. 1. Structural view of a kinetic energy harvester with capacitive interface.

The diagram in Fig. 1 presents the structure of a KEH placed in a vibrating reference frame Ox , which vibrates with an acceleration $a_{ext}(t)$ with regard to an inertial reference frame Oy . A mobile mass, when considered in the frame Ox , is subjected to a force equal to $-ma_{ext}(t)$, where m is the value of the mass. This force is a source of mechanical energy. The mass may be freely moving [2] or may be coupled with the vibrating frame Ox by a spring, as shown in Fig. 1.

Electromechanical transducers have two mechanical terminals: one is fixed to the vibrating frame, and the other is attached to the mobile mass. When the mobile mass moves, the electricity is generated at the electrical terminals of the transducer. The physics of this process depends on the transducer implementation. For any transduction mechanism, the KEH requires a power management system which transforms the harvested electricity into a form suitable for the load supply (e.g., rectification, DC voltage stabilisation, etc.). Indeed, the output voltage may only be a few hundreds of millivolts in the case of electromagnetic or piezoelectric harvesters, and special start-up and voltage level up circuits are necessary. On the contrary, capacitive transducers (as in Fig. 1) may generate tens of volts, and a downward DC-DC conversion is needed. The electronics interfacing with the energy harvesters are usually designed under severe restrictions due to the power consumption, and are often integrated on silicon for the sake of miniaturisation [3][4].

Unlike piezoelectric and electromagnetic transducers, capacitive transducers are passive devices. In addition to the above mentioned interface with the load and the power

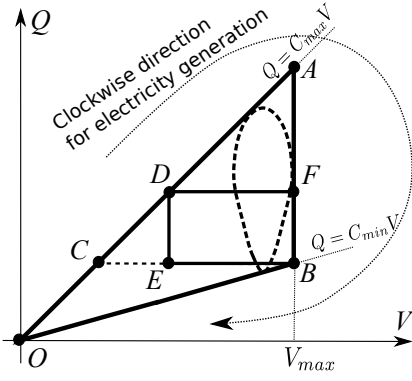


Fig. 2. Diagram showing all charge-voltage cycles which have been used to date for conditioning of capacitive transducers in KEHs: OCB (constant-charge), OAB (constant-voltage), DFBE (rectangular) and "tear drop" cycle corresponding to the continuous conditioning circuit or KEH with electret layer [5]. All cycles are drawn for the same extreme values of the variable capacitance (C_{min} , C_{max}) and for the same maximal voltage V_{max} .

management, they require a special electrical conditioning (biasing) in order to convert motion into electricity. The implementation of efficient conditioning circuits for electrostatic KEH is hindered by a low power level available from the electrostatic conversion, hardly more than tens of microwatts per cm^2 .

In capacitive transducers, the mechanical energy is converted into electricity when the transducer is biased while its capacitance decreases, i.e., when electrical force does negative mechanical work on the mass. The electromechanical energy conversion process is characterized by the charge-voltage diagram (said "QV diagram"), which is a graphical representation of the evolution of the electrical state of a capacitive transducer. For a periodic variation of the transducer capacitance, the QV diagram is a loop whose area is numerically equal to the energy converted during a cycle. Moreover, in relation to the energy conversion process, the shape of the QV diagram is an obvious basis for the classification of conditioning circuits. Fig. 2 presents all QV diagrams implemented by known conditioning circuits.

One of the main roles of a conditioning circuit is to provide the transducer with a dynamic voltage biasing corresponding to the desired QV cycle. If the maximum voltage supported by the used transistor technology is limited to V_{max} , the dynamic biasing allowing the most optimal electromechanical conversion is achieved by a circuit called "constant voltage circuit" [6] (cycle OAB in Fig. 2). However, since the early noughties, several architectures of conditioning circuits for capacitive transducers have been proposed: the continuous conditioning circuit [7] (tear drop QV cycle, cf. Fig. 2), circuits implementing the constant charge QV cycle [6] (triangular QV cycle OCB), circuits based on a charge pump [8] and recently circuits based on Bennet's doubler (rectangular QV cycle DFBE). Such a large number of concurrent solutions is explained by the difficulty in the practical implementation of the conditioning circuit with the constant voltage operation. The evolution of the conditioning circuits goes toward the simplification of the external management required for their operation: while the constant voltage and constant charge circuits require two *synchronized* switches at each period of

vibration, the charge pump based circuit requires only one switching over *several* periods of vibrations. The Bennet's doubler based circuit does not require controlled switching at all.

Conditioning circuits based on the charge pump have been considered since 2002 (cf. basic architecture by Roundy et al. [8]); their great advantage is an automatic synchronisation of the charge flow on the capacitive transducer with the mobile mass vibration. Their common property is the rectangular shape of the QV diagram. The basic charge pump is usually complemented with a flyback, which defines its optimal steady-state operation (cf. Sec. III-A and III-B).

Recently, a new topology of conditioning circuit whose architecture is inspired by the Bennet's electricity doubler has been discovered. In comparison with previous conditioning circuits, these circuits increase their initial biasing by using the energy converted from the mechanical domain *without employing any inductive DC-DC conversion*. It was recently shown that these circuits also implement a rectangular QV cycle, and by consequence, they should be considered as belonging to the same family as the circuits based on the charge pump.

To date, conditioning circuits based on Roundy's charge pump and on the Bennet's doubler have been analysed separately, and only from the point of view of electrical engineering. The published works have focused on experimental demonstration of the energy conversion with these circuits. However, a fundamental study of the behaviour of these circuits as a part of an electromechanical system such as a KEH is still missing. An analysis of electromechanical behaviour due to the transducer has never been done; it is not known how a transducer which operates following a rectangular QV cycle impacts the mechanical domain of the harvester. Understanding the common properties of these two apparently different architectures, but having very similar QV diagrams, must help in the optimization of converted power for given design specifications.

This paper, composed of two articles Part 1 and Part 2, presents a complete electrical and electromechanical analysis of a KEH which uses a capacitive transducer biased by a rectangular QV cycle. This analysis will be based on tools proposed for nonlinear KEH in previous works [9] allowing a nonlinear analysis of coupled electromechanical systems.

Part 1 (this article) addresses the analysis of the conditioning circuits from the electrical point of view. It is organized as follows. In Section II, we present properties and main figures of merit for an energy harvester employing a rectangular QV cycle. We explain how an ideal conditioning circuit implementing a QV cycle may be optimized *from the electrical point of view*, as a function of different system-level limitations. In Section III we address the practical implementation of a rectangular QV cycle. The geometric parameters of the cycle will be related to the physical parameters of the conditioning circuits based on the Roundy charge pump and Bennet's doubler. We explain how the circuits should be optimized so as to maximize the power of the electricity generation for different practical hypotheses, and we will highlight differences between these two circuits. We present the concept of

adaptive operation of the circuits based on the Roundy's charge pump, and show how smart electronics may ensure that for any change in the external vibrations, the operation of the circuit is still optimal. Section V discusses practical implementations and experimental results.

Part 2 of the paper is devoted to the analysis of the system "conditioning circuit ; resonator ; transducer". A precise analytical model is developed for the Roundy charge pump with resistive flyback. This model is then solved with the multiple scales method, which belongs to the family of the perturbation techniques. The method predicts the dynamics of the mobile mass vibration, resulting from the action of the external forces (vibrations), from mechanical properties of the resonator, and from the action of the transducer biased by the conditioning circuit. The knowledge about the resonator amplitude provides information about the dynamic of the transducer capacitance variation. Hence, with the electrical analysis presented in Part 1, it is possible to know the rate of the energy conversion (the power). Predictions on the system dynamics resulting the proposed analysis method agree very well with the experiment, done with a fabricated MEMS device.

II. A PRIMITIVE CIRCUIT IMPLEMENTING A RECTANGULAR QV CYCLE

Since in Part 1 only the electrical behaviour is considered, in this article the resonator and transducer are modeled as a variable capacitor. Its capacitance $C_t(t)$ varies cyclically in time between its extreme values C_{max} and C_{min} with a period $T_e = 1/f_e$ (where f_e is the frequency), and we suppose that the function $C_t(t)$ has only one local maximum and minimum over a period.

A. Idealized circuit

An idealized conditioning circuit implementing a rectangular QV cycle is given in Fig. 3a. The voltage sources are related as $V_{res} \leq V_{st}$ and the diodes are supposed ideal with zero threshold. Let us analyze the evolution of the electrical state of the transducer starting from the moment at which $C_t = C_{max}$, and the transducer voltage V_t is V_{res} , D1 being on. The charge on C_t is $Q_1 = C_{max}V_{res}$. As the transducer capacitance reduces because of the motion of the mobile mass, its voltage increases, switching off the diode D1, and the voltage across C_t increases as :

$$V_t(t) = Q_1/C_t(t) \quad (1)$$

The transducer capacitance decreases until $C_t = C_{min}$; if there exists a capacitance value C^* such that $C_{min} \leq C^* \leq C_{max}$ and such that:

$$Q_1/C^* = V_{st}, \quad (2)$$

the diode D2 turns on before C_t reaches C_{min} , and as $C_{min} \leq C_t \leq C^*$, the diode D2 is on, and $V_t = V_{st}$. During this phase, the transducer gives charges and energy to the source V_{st} . When C_t reaches C_{min} , the charge on the transducer is $Q_2 = C_{min}V_{st}$.

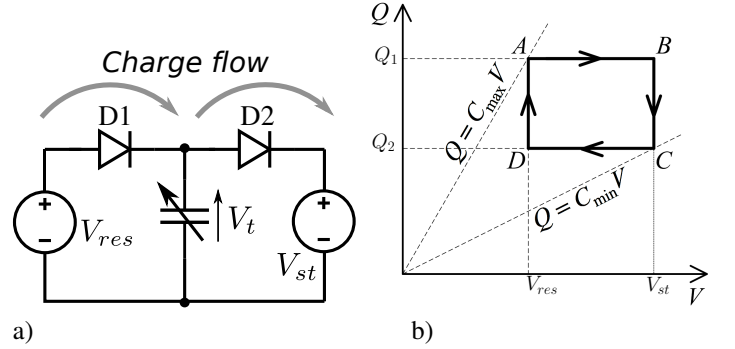


Fig. 3. Schematic of an ideal conditioning circuit implementing a rectangular charge voltage cycle (a) and the plot of the corresponding QV cycle (b).

When C_t starts to increase, the reverse process takes place. First, both diodes are off, and the voltage across C_t decreases as

$$V_t(t) = Q_2/C_t(t) \quad (3)$$

If there exists a capacitance value C^{**} such that $C_{min} \leq C^{**} \leq C_{max}$, and such that

$$Q_2/C^{**} = V_{res} \quad (4)$$

the diode D1 turns on before C_t reaches C_{max} , and as $C^{**} \leq C_t \leq C_{max}$, the diode D2 is on, and $V_t = V_{res}$. During this phase, the transducer collects charges from the source V_{res} .

The described process, when C_t goes from $C_t = C_{max}$ to $C_t = C_{min}$ and back to $C_t = C_{max}$, defines a conversion cycle. The corresponding QV diagram is given in Fig. 3b. In summary, during one cycle the transducer operates twice with a fixed charge, Q_1 and Q_2 , and twice biased by a constant voltage, V_{res} and V_{st} .

The energy converted by the transducer during such a cycle is immediately calculated from the QV diagram, as the area of the cycle (Fig. 3b):

$$\Delta W = (V_{st} - V_{res})(Q_1 - Q_2) = V_{res}^2 C_{max} \left(\frac{V_{st}}{V_{res}} - 1 \right) \left(1 - \frac{V_{st}/V_{res}}{C_{max}/C_{min}} \right). \quad (5)$$

The energy ΔW is not negative if and only if $Q_1 \geq Q_2$, or

$$\frac{C_{max}}{C_{min}} \geq \frac{V_{st}}{V_{res}}. \quad (6)$$

If this condition is not fulfilled, the capacitance variation is not large enough to allow the amplitude of the V_t variation to overcome the potential gap $V_{st} - V_{res}$. In this case the transducer operates having a constant charge which depends on its initial condition. The corresponding QV cycle is a horizontal line, having a zero area and hence zero converted power.

The values C_{min} and C_{max} are strongly linked to the parameters of the device and to the mechanical mode, and may often be considered as imposed by a given design or application context. The converted energy depends on the extreme values of the transducer capacitance and on the voltages V_{res} and V_{st} . The latter depend on the practical implementation of the sources. This is discussed in Sec. III-D.

Since the goal of KEHs is a maximization of the converted energy, one may wonder what the optimal values of the pair (V_{res}, V_{st}) achieving it are. From (5), one can see that the pair (V_{res}, V_{st}) does not have an optimal value maximizing the converted energy ΔW . Nevertheless, if one of these voltages are fixed (cf. Sec. II-B1), there exists an optimal value for the second voltage. If V_{st} is fixed, the optimal value for V_{res} is given by:

$$\frac{V_{res\ opt}}{V_{st}} = \frac{1}{2} \left(\frac{C_{min}}{C_{max}} + 1 \right) \approx \left[\text{if } \frac{C_{max}}{C_{min}} \gg 1 \right] \approx \frac{1}{2} \quad (7)$$

and the corresponding converted energy is

$$\Delta W_{max}^{st} = \frac{1}{4} V_{st}^2 \frac{C_{min}^2}{C_{max}} \left(\frac{C_{max}}{C_{min}} - 1 \right)^2 \approx \left[\text{if } \frac{C_{max}}{C_{min}} \gg 1 \right] \approx \frac{1}{4} V_{st}^2 C_{max} \quad (8)$$

If V_{res} is fixed, the optimal V_{st} is calculated as:

$$\frac{V_{st\ opt}}{V_{res}} = \frac{1}{2} \left(\frac{C_{max}}{C_{min}} + 1 \right) \approx \left[\text{if } \frac{C_{max}}{C_{min}} \gg 1 \right] \approx \frac{1}{2} \frac{C_{max}}{C_{min}} \quad (9)$$

and the optimal energy is

$$\Delta W_{max}^{res} = \frac{1}{4} V_{res}^2 C_{min} \left(\frac{C_{max}}{C_{min}} - 1 \right)^2 \approx \left[\text{if } \frac{C_{max}}{C_{min}} \gg 1 \right] \approx \frac{1}{4} V_{res}^2 C_{max} \frac{C_{max}}{C_{min}}. \quad (10)$$

It is now interesting to compare the energy converted in one rectangular cycle with the energy converted in a constant voltage triangular QV cycle OAB, Fig. 2. If the voltage of the available source is V_{max} , the energy is given by [6]:

$$\Delta W_{constV} = \frac{1}{2} V_{max}^2 C_{min} \left(\frac{C_{max}}{C_{min}} - 1 \right) \approx \left[\text{if } \frac{C_{max}}{C_{min}} \gg 1 \right] \approx \frac{1}{2} V_{max}^2 C_{max}. \quad (11)$$

A meaningful comparison of these two circuits is possible, if the technology limits the maximal voltage supported by the diodes and the transducer to V_{max} . In this case, the maximal energy obtained by the charge pump is given by equation (8), in which V_{st} is substituted with V_{max} . As it can be seen from Fig. 2, the optimal rectangular QV cycle produces less energy than the constant voltage cycle. In the best case, when $C_{max} \gg C_{min}$, the ratio is 1/2.

B. Practical implementation

1) *Circuit structure and operation:* The network implementing the schematic of Fig. 3a was proposed by Roundy et al. [8]. It is shown in Fig. 4, with solid lines. The voltage source V_{res} is implemented with a large reservoir capacitor, whose value is large enough to neglect its voltage variation over one capacitance variation period. The voltage source V_{st} is implemented by a storage capacitor C_{st} , which is small compared to C_{res} , but much greater than the maximum value of the transducer capacitance C_{max} . C_{res} capacitor is initially charged to a voltage $V_{res} = V_{res0}$, and so are C_{st} and C_t

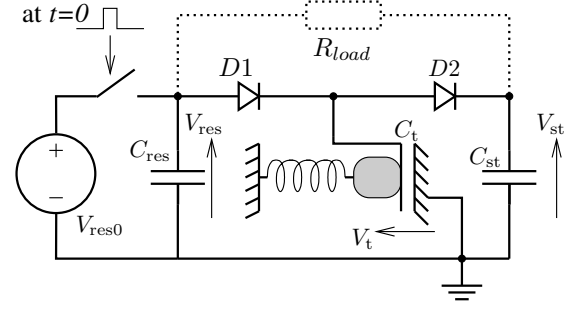


Fig. 4. Schematic of a practical charge pump used for the conditioning of capacitive transducers in KEHs. Dotted lines show the configuration with a resistive flyback, cf. Sec. III-A

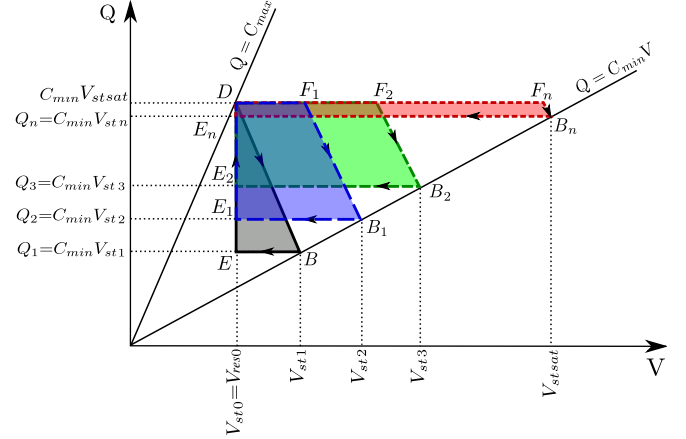


Fig. 5. Succession of charge-voltage cycles as the charge pump operates starting from the state when $V_{st} = V_{res}$: the first cycle DBE , the subsequent cycles $DF_1B_1E_1$, $DF_2B_2E_2$, ..., $DF_nB_nE_n$. If $n \rightarrow \infty$, the cycle is degenerated to a line passing through the points D, F_1, F_2, \dots, F_n .

capacitors, because of the charge sharing through the diodes D1 and D2.

In this way, by initially precharging the circuit to a voltage V_{res0} , we implement the configuration of Fig. 3a with $V_{res} = V_{st}$, in which the converted energy per cycle should be zero. However, since the V_{st} voltage source is implemented by a capacitor C_{st} , the charge transfer from C_{res} to C_{st} during the first cycle slightly increases the voltage across C_{st} . Hence, the corresponding QV cycle DBE is actually triangular, as shown in Fig. 5. The next cycle starts in a configuration with a slightly larger V_{st} , yielding a trapezoidal QV cycle. After each cycle, V_{st} increases, so that all further cycles are different. It can be shown that the slope of the line $DB, F_1B_1, \dots, F_nB_n$ is $-C_{st}$ (steeper than C_{max} , but exaggerated on the figure): the shape of the cycles is close to rectangular, as $C_{st} \gg C_{max}$. It can be seen that the QV trajectory follows a succession of cycles, starting from $V_{st} \approx V_{res}$ and asymptotically approaching the degenerated cycle corresponding to $V_{st\ sat} = V_{res} C_{max} / C_{min}$. This value is called the "saturation voltage" of the charge pump.

As a result of the operation of this circuit, the capacitor C_{st} receives energy from C_{res} , and in addition, it receives energy converted from the mechanical domain (the harvested energy). In this way, at every QV cycle of the charge pump operation, the overall electrical energy of the circuit increases. In what follows, we present a quantitative analysis of this process.

The voltage V_{st} at the end of the n^{th} cycle evolves following the recursive equation [10]:

$$V_{st\ n} = \alpha V_{st\ n-1} + \beta, \quad (12)$$

where

$$\alpha = \frac{C_{st}}{C_{st} + C_{min}}, \quad \text{and} \quad \beta = V_{res} \frac{C_{max}}{C_{st} + C_{min}}. \quad (13)$$

The solution of the discrete equation (12) is:

$$V_{st\ n} = \left(V_{st0} - V_{res} \frac{C_{max}}{C_{min}} \right) \left(\frac{C_{st}}{C_{st} + C_{min}} \right)^n + V_{res} \frac{C_{max}}{C_{min}}, \quad (14)$$

where V_{st0} is the voltage on C_{st} capacitor at the zeroth cycle. In this article, it is assumed $V_{st0} = V_{res0}$.

Note that if C_t variations are periodic, the variable n is the operating time of the charge pump divided by the period of C_t variation, T_e . It is easy to see that the asymptotic value of $V_{st\ n}$ as $n \rightarrow \infty$ is $V_{st\ sat}$.

As V_{st} increases, the voltage V_{res} slowly decreases, as the amount of charges on C_{res} and C_{st} is constant (as one neglects the charges at C_t):

$$V_{res\ n} = V_{res0} - \frac{C_{st}}{C_{res}} \cdot (V_{st\ n} - V_{res0}) \approx V_{res0} \Big|_{\text{if } C_{res} \gg C_{st}}. \quad (15)$$

An example of the evolution of V_{res} and V_{st} is given in Fig. 6a, where the charge pump starts from the state $V_{res} = V_{st} = V_t = V_{res0}$. From formula (12) it can be seen that if $C_{st} \gg C_{max}$, the increment of V_{st} during every cycle is small, and the charge pump run through cycles for all possible V_{st} , from V_{res0} to the saturation value $V_{st\ sat}$.

2) *Evolution of the harvested energy:* Neglecting the energy in the transducer capacitance since it is small, and supposing that the C_{st} voltage is initially V_{res0} , the energy harvested during n first vibration periods is stored in the capacitors C_{res} and C_{st} , and is given by :

$$W_n = \frac{1}{2} C_{st} V_{st\ n}^2 + \frac{1}{2} C_{res} V_{res\ n}^2 - \frac{1}{2} (C_{res} + C_{st}) V_{res0}^2, \quad (16)$$

where $V_{res\ n}$ is the C_{res} voltage after n vibration cycles, V_{res0} is the initial voltage of C_{res} . At the same time, the sum of charges of C_{st} and C_{res} is constant (Q_0), so, the following relation holds (neglecting the charge sharing with C_t):

$$Q_0 = (C_{st} + C_{res}) V_{res0} = C_{st} V_{st\ n} + C_{res} V_{res\ n}. \quad (17)$$

Using (17), eq. (16) can be simplified:

$$W_n = \frac{C_{st} C_{res}}{C_{st} + C_{res}} (V_{st\ n} - V_{res\ n})^2 / 2. \quad (18)$$

This shows that the harvested energy is stored in the capacitor composed of C_{st} and C_{res} connected in series. This formula can be further simplified if $C_{st} \ll C_{res}$ and if C_{res} is large, so that $V_{res} \approx V_{res0}$. In this case:

$$W_n \approx C_{st} (V_{st\ n} - V_{res0})^2 / 2. \quad (19)$$

This equation shows that the converted energy is mainly stored in the C_{st} capacitor.

The value

$$\Delta W_n = W_n - W_{n-1}, \quad (20)$$

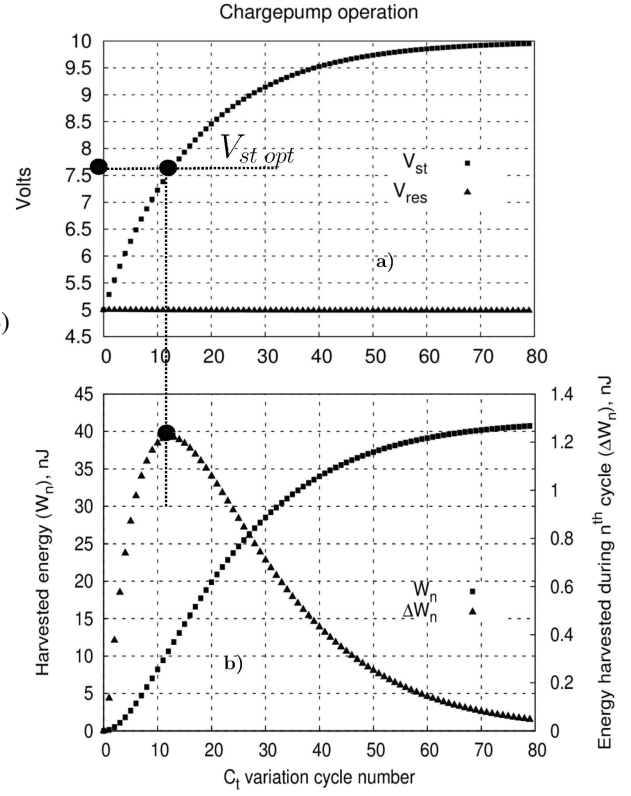


Fig. 6. Evolution of the electrical state of the charge pump without flyback. a) Evolution of V_{st} and V_{res} voltages. b) Evolution of the total converted energy (W_n) and of the energy converted at one cycle (ΔW_n). The simulation was done with $C_{min} = 200\text{pF}$, $C_{max} = 400\text{pF}$, $C_{st} = 3.3\text{nF}$, $C_{res} = \infty$, $f_e = 300\text{Hz}$.

gives the energy converted during one cycle. For the case when $C_{st} \gg C_{max}$, this quantity can also be found from eq. (5) by substituting $V_{st} = V_{st\ n-1}$, and $V_{res} = V_{res0}$.

Eq. (19) relates the harvested energy only with the voltages V_{res} and V_{st} , hiding the operation by which the charge pump came to this state. It is thus possible to consider V_{res} and V_{st} as "macroscopic state parameters" of the charge pump, remove the indices n and write:

$$W(V_{res0}, V_{st}) = C_{st} (V_{st} - V_{res0})^2 / 2. \quad (21)$$

If, during the operation of the charge pump, the V_{st} voltage increases from some V_1 to some V_2 , the corresponding converted energy is given by:

$$\Delta W(V_{res0}, V_1, V_2) = W(V_{res0}, V_2) - W(V_{res0}, V_1) = C_{st} (V_2 - V_1) (V_2 + V_1 - V_{res0}) / 2. \quad (22)$$

Fig. 6b presents the plots characterising the energy conversion by the charge pump. During every cycle n , the total energy (lower plot, square dots) increases by the value given by (5) calculated for the V_{st} resulting from the previous cycle (upper plot, squares dots). The energy ΔW_n converted at each cycle is presented by the plot with triangular dots. Only a few cycles convert a significant amount of energy: those corresponding to V_{st} values close to the optimal $V_{st\ opt}$, (cf. the analysis of sec. II for fixed V_{res}). This value is situated in-between the extreme values of V_{st} , and a freely running

charge pump finishes by entering into the saturation mode, in which $V_{st} \approx V_{st\ sat}$ and $\Delta W \approx 0$.

C. Shortcomings of the primitive circuit

Because of the saturation, the charge pump alone is not useful for capacitive KEHs. Practical conditioning circuits should be able to (i) ensure a sustainable energy conversion, (ii) be able to accumulate the converted energy. These two very important points are discussed in this subsection.

1) *Need for a flyback*: The plot ΔW_n in Fig. 6b can be seen as the average power converted in a cycle. The goal of a harvester is to permanently maintain the converted power close to a maximum level. For this reason, a charge pump needs periodic *flyback*: a mechanism returning some of charges from C_{st} to C_{res} so as to keep V_{st} close to the optimal value and to prevent the charge pump from saturation. Possible implementations of the flyback will be discussed in the next two sections.

The action of the charge pump can be seen as the generation of an average current flowing from a low potential (V_{res}) to a higher potential V_{st} . This current is roughly equal to

$$i_{ch\ pump} = \frac{Q_1 - Q_2}{T_e} = \frac{V_{res}C_{max} - V_{st}C_{min}}{T_e}. \quad (23)$$

The flyback must create an opposite current from C_{st} to C_{res} , preventing the accumulation of charges on C_{st} , and so, avoiding the charge pump saturation. This current, flowing from the high to low potential, *removes* the electrical energy from the charge pump, and in a practical application, this energy should be transferred to a useful load. In the steady-state mode, the rate at which the energy is removed from the charge pump is equal to the power of the electromechanical conversion.

2) *Auto-increasing of the internal energy* : From (5) and further analysis of Sec. II-B1, it can be seen that the energy converted by a charge pump is proportional to the square of the voltage V_{st} and V_{res} , i.e., proportional to the internal energy of the circuit in Fig. 4. Practical studies highlight that up to tens of volts may be needed for optimal operation [11]. However, the initial charge can only be obtained by a low-voltage battery existing in the system, or by a complementary piezoelectric KEH as proposed in [12]. In both cases, the initial voltage generated in this way will certainly be low (few volts).

By consequence, the conditioning circuit should be able to use a part of the converted energy in order to *increase* its biasing: its internal energy represented by the voltage on the largest capacitor, V_{res} . We call this property "auto-increasing of the internal energy", and the corresponding operation mode "accumulative mode". This mode allows not only a definition of high initial bias, but also a compensation of eventual losses in the conditioning circuit (leakages in the capacitors).

The auto-increasing capability is not offered by the basic charge pump.

III. CIRCUITS DERIVED FROM THE PRIMITIVE CHARGE PUMP

A. Resistive flyback

The simplest way to implement a flyback is to connect a load between C_{res} and C_{st} (Fig. 4), originally proposed in

[12]. Here, the load is represented with a resistance R_{load} whose current is:

$$i_{load} = \frac{V_{st} - V_{res}}{R_{load}}. \quad (24)$$

A simplified analysis may be done by analyzing independently the charge flows of the charge pump and of the resistor, and then by superimposing them. The point at which both currents are equal to each other ($i_{ch\ pump} = i_{load}$) corresponds to steady-state operation. Although it is an approximation based on the averaging method [13], it gives good analytical results.

In the steady state, the average V_{st} voltage on a period T_e is the same for all cycles. The stability of this mode can be easily proven by supposing a perturbation which yields, for example, $i_{ch\ pump} < i_{load}$. In this case, the load current consumption outweighs the current due to the charge generation by the pump, and V_{st} decreases. This results in decreasing of i_{load} , and so in reducing the initial perturbation.

Under these considerations, the average steady-state voltage V_{st} with resistive flyback can be predetermined by equating (23) and (24). Conversely, the value of R_{load} yielding a desired V_{st} (for example, that yielding a maximal ΔW) can be calculated.

The resistive flyback configuration provides a sustainable energy conversion by preventing the charge pump from the saturation. This is an efficient solution from the point of view of the simplicity of implementation. However, it does not allow an auto-increasing of its internal energy (cf. Sec. II-C2), and for this reason, is not usable in practical applications.

B. Inductive flyback

1) *Architecture and operation*: The inductive flyback is a Buck DC-DC converter, transferring energy from C_{st} to C_{res} (Fig. 7a) [10]. The flyback operates in two steps:

(i) When V_{st} is high so that the efficiency of the charge pump decreases, some external control device (cf. the explanation below) activates the switch SW , and the current in the inductor L starts to increase. This results in: (i) charges being transferred from C_{st} to C_{res} , so that V_{st} decreases, (ii) the energy previously generated by the charge pump on C_{st} is transferred to L .

(ii) As the magnitude of V_{st} decreases, it becomes close to V_{res} , and the same external device cuts the switch, so that the inductor discharges through the flyback diode $D3$ onto C_{res} . This results in a transfer of the inductor energy to C_{res} , and an *increase* of the C_{res} voltage, since the diode $D3$ is connected to the ground. In this way, the converted energy is used to extract charges from the ground and inject new charges into the charge pump.

It can be seen that C_{res} receives charges twice: in the first phase, it receives the charges previously given to C_{st} during the pump operation, and in a second phase, it receives new charges from the ground. In this way, C_{res} receives the energy it has given to C_{st} during the operation of the charge pump, and it receives the energy converted from the mechanical domain. If such an operation is cyclic, the average voltage and energy of C_{res} will grow. In this way, two problems

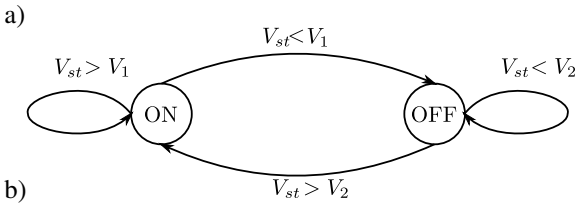
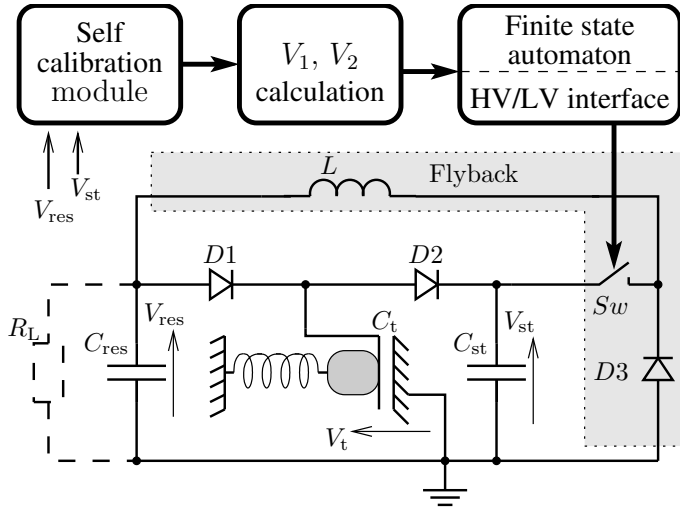


Fig. 7. Conditioning circuit with inductive flyback. a) the architecture of the circuit: the basic charge pump (as presented in Sec. II-B), the inductive flyback (grey background, Sec. III-B), and the architecture of the adaptive control (cf. Sec. III-B), b) the finite state automaton explaining the algorithm of the flyback switch control.

are solved: (i) even if the capacitors are leaky, the losses are compensated by the charges extracted from the ground, (ii) a large capacitor C_{res} contains the harvested energy available for the load (represented by dotted lines in Fig. 7a). If no load is present, C_{res} accumulates the converted energy, and so implements an "auto-increasing" or "accumulative" mode.

The advantage of the charge pump with inductive flyback is the possibility of a precise control of the QV cycle corresponding to the energy conversion. This is achieved by a modulation of the average V_{st} voltage so as to remain in the optimal mode for energy conversion.

A drawback of the circuit is the need of an external command for the switch. However, this command is synchronized not with the mobile mass vibrations, but with the evolution of the voltage V_{st} : firstly, a voltage can easily be measured, and secondly, the evolution is low compared to the period of the capacitance variation. Hence, the cost of such a command is smaller than for circuits implementing constant-voltage or constant-charge QV cycles (cf. Sec. I).

2) *Practical implementation*: In order to take maximum advantage of the charge pump with inductive flyback, a "smart" management of the flyback is required (cf. functional representation in Fig. 7a). This was firstly highlighted in [14]. The most important issue is the selection of an interval $[V_1, V_2]$ for V_{st} values, so that $V_1 < V_{st, opt} < V_2$, and V_1 and V_2 are close to V_{opt} . As far as V_1 and V_2 are chosen, the operation of the switch is ordered by a finite-state machine (Fig. 7b), and the evolution of V_{st} and the average power is given in Fig. 8.

The voltage V_1 and V_2 may be defined as $V_{st, opt} \pm \Delta V$, where ΔV is chosen large enough so to minimize the fre-

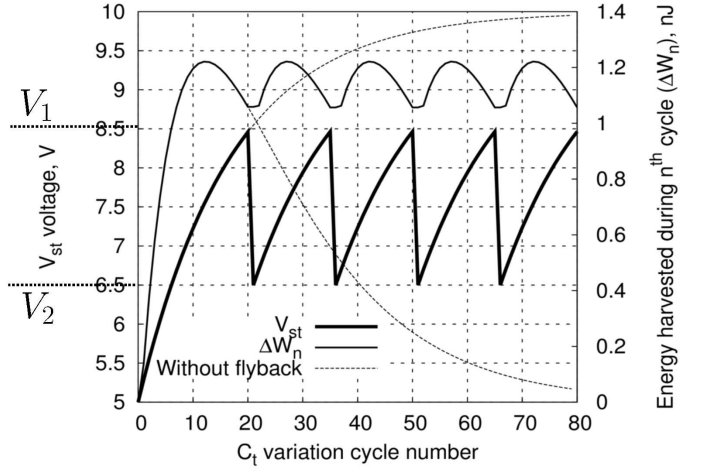


Fig. 8. Evolution of dynamic quantities of the charge pump with inductive flyback. The parameters of the circuit used in the simulation are the same as for Fig. 6.

quency of the switch activation, but at the same time small enough to keep the average power close to the maximal value. By considering (14), the reader can verify that the value of the capacitance C_{st} controls the number of cycles during which the voltage V_{st} goes from V_1 to V_2 , and at the same time, the energy that the flyback circuit must transfer from C_{st} to C_{res} . A trade-off must be found, as a function of the practical implementation of the whole system.

However, $V_{st, opt}$ is not directly measurable, and this is a fundamental problem. From (9), it can be seen that $V_{st, opt}$ depends on C_{max}/C_{min} , which is not known a priori in practice, as it depends on the amplitude of the mobile mass vibration (cf. Part 2 of this paper). One of the possible ways to determine $V_{st, opt}$ is to measure the saturation voltage of a freely run charge pump. This voltage is given by $V_{st, sat} = V_{res} C_{max}/C_{min}$. As it can be seen in Fig. 8, the values of V_1 and V_2 can just be chosen in-between V_{res} and $V_{st, sat}$, for example,

$$\begin{aligned} V_1 &= V_{res} + 1/3 \cdot (V_{st, sat} - V_{res}), \\ V_2 &= V_{res} + 2/3 \cdot (V_{st, sat} - V_{res}) \end{aligned} \quad (25)$$

As far as $V_{st, sat}$ is known, the calculation on V_1, V_2 may be done by simple analog circuits, such as a voltage divider [15]. To determine $V_{st, sat}$, the charge pump should be run up to saturation periodically, and the final V_{st} value should be measured and memorized. This measurement should be periodic, since the vibration amplitude may change with time. We call this technique "auto-calibration", since a periodic recalculation of V_1 and V_2 allows an optimal operation of the circuit for a range of parameters of external vibrations.

Practical implementation of adaptive architecture in Fig. 7 is challenged by the relatively low power available for the control circuitry, and by the need to manage high voltages in the conditioning circuit. Most studies used an "old" CMOS technology supporting high voltages (e.g., 0.7 μm CMOS in [4]). The work [16] used a mixed high-voltage/low-voltage 0.35 μm CMOS technology, where high voltage circuits are used for the interface with the charge pump, and the processing is done by low voltage parts. This allows a minimization of the power overhead of the control electronics. Implementation of

a high-side high voltage MOS switch for the flyback control with a low voltage control interface represented a particular difficulty. An advanced study of a fully integrated CMOS implementation of the control architecture, as in Fig. 7, was presented in [15][16]. Although the full IC was not implemented, the circuit was designed up to the layout. Transistor-level simulations highlight a power consumption of the overall smart adaptive circuit with self-calibration of less than $1.5 \mu\text{W}$.

C. Bennet's doubler

First introduced at the end of the 18th century [17], the Bennet's doubler of electricity has recently been proposed by Queiroz [18] for capacitive KEH (cf. Fig. 9). Since then, several works have further developed this concept, adapting it to microscale KEH [19][20][21].

1) *Basic configuration*: Detailed analysis of the mechanism of the energy conversion in the circuit of Fig. 9 has been presented in the papers cited above. Here, emphasis is made on the similarity between this circuit and an idealized charge pump (Fig. 3a), and on the application of the analysis developed in Sec. II-A.

Let's consider V_{10} as a positive voltage source that can be used to pre-charge C_1 when desired. When applied, it also charges C_t to V_{10} through D2. Then, for several cycles, thanks to the capacitance variation that allows the circuit to overcome the diodes potential gaps, C_1 charges C_2 through C_t which acts as a charge buffer: when C_t goes to C_{max} , it absorbs charges from C_1 , and when it goes to C_{min} , the energy of the charges is elevated and the charges are released to C_2 . At the end of this transient process, the voltages on capacitors C_1 and C_2 are equal, with polarities as indicated in Fig. 9. A more detailed description of the transient process for the Bennet's doubler can be found in [21].

After the transient, the circuit is in the energy conversion mode, which will be referred to as the steady-state operation mode of the circuit. As shown in [18], this mode shows an avalanche-like growth of the circuit voltages: the energy converted by the circuit in one cycle is distributed among the circuit capacitors, and so, increases the circuit initial bias for the next cycle. Since the energy converted in a cycle is proportional to the square of the voltages, both the voltages and the energy in the circuit's capacitors grow exponentially. The steady-state operation is an *auto-increasing* mode (discussed in Sec. II-C2), which, contrarily to the charge pump with inductive flyback, does not require an external control.

A similarity between the Bennet's doubler in the steady-state mode and the basic configuration of the charge pump (Fig. 3a) can be exposed if the circuit is redrawn as in Fig. 10a. It can be shown that the conduction of D2 in the steady-state mode is negligible, if $C_1 \gg C_2$ (cf. [18]). If D2 is removed and if the fixed capacitors are represented by voltage sources (valid if they are much greater than C_{max}), then by equivalent circuit transformations presented in Fig. 10b-d one obtains an equivalent topology given in Fig. 10e. The similarity with the network of Fig. 3a is obvious if one puts $V_{res} = V_2$, $V_{st} = V_1 + V_2$. Details of the equivalent circuit transformation are given in the legend of Fig. 10.

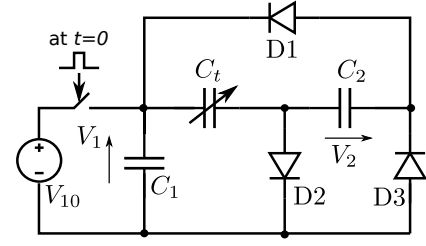


Fig. 9. Original schematic of conditioning circuit based on the Bennet's doubler [18].

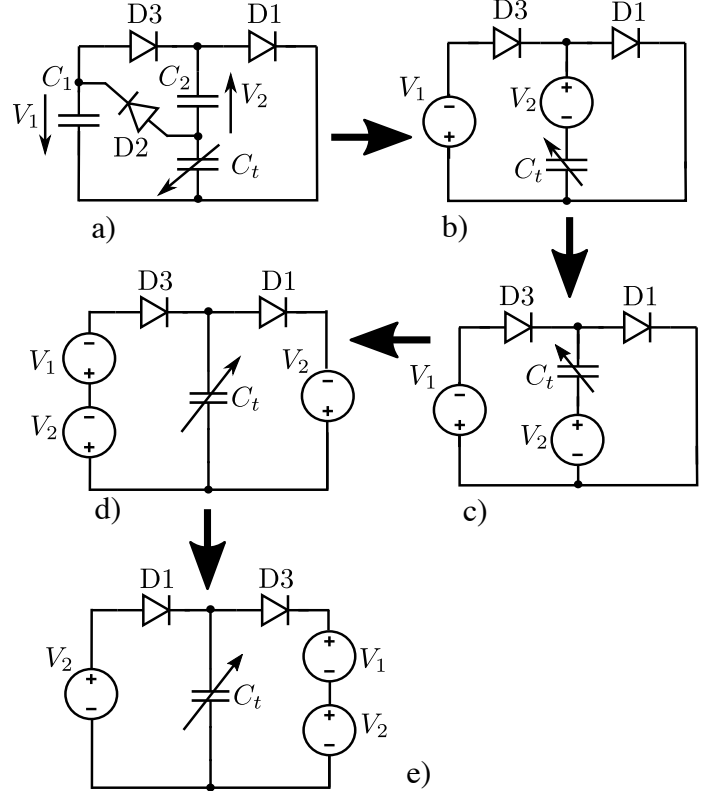


Fig. 10. Demonstration of similarity of the Bennet's doubler operation in the steady-state mode with basic charge pump (Fig. 3a): a) circuit in Fig. 9 redrawn, b) the same topology presented in steady-state mode without D2 and where the fixed capacitors are replaced by voltage sources; c) the same circuit with V_2 source and C_t swapped, since they are in series, d) the source V_2 "passes" through the bottom node and appears in the left and right side branches, e) the same as (d) redrawn. The topology (e) is equivalent to that of Fig. 3a if $V_{res} = V_2$, $V_{st} = V_1 + V_2$.

The QV cycle corresponding to the circuit (Fig. 11) has the parameters:

$$\begin{aligned} V_{res} &= V_2 \\ V_{st} &= V_1 + V_2 \end{aligned} \quad (26)$$

and since $V_1 = V_2$, for this configuration, the relation V_{store}/V_{res} is fixed as a ratio of 2 by the topology (Fig. 11a). The main shortcoming of the basic configuration of the Bennet's doubler is that the ratio C_{max}/C_{min} must be at least 2 for the operation of the circuit (cf. condition (6)), and transducers implemented in MEMS technology often display lower performances.

2) *Generalization of the circuit*: Recent studies highlighted that ratios V_{st}/V_{res} lower than 2 can be achieved by a mod-

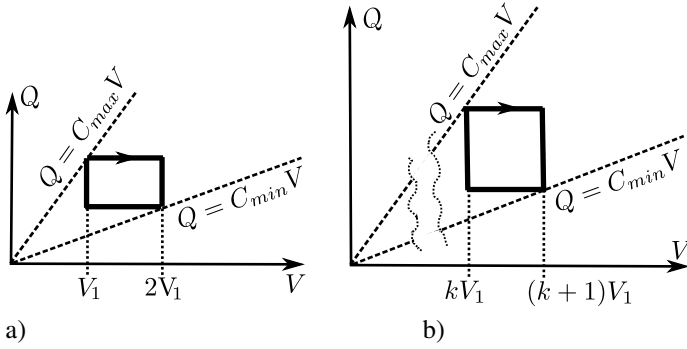


Fig. 11. a) QV cycle diagram for the basic configuration of Bennet's doubler [18], QV cycle diagram for the more general Bennet's doubler [19].

ification of the circuit topology. In [19], a voltage multiplier is used in order to define a ratio between V_1 and V_2 as:

$$V_2 = kV_1, \quad (27)$$

$k \geq 2$, $k \in \mathbb{N}$. The previous analysis done on the basic Bennet's circuit is still valid; the QV cycle is given by substituting (27) into (26).

This allows one to consider a generalized Bennet's doubler circuit, in which the ratio between V_1 and V_2 can be any value. To date, only topologies with integer ratios have been implemented, but further investigation may result in the discovery of configurations with non-integer rational ratios. In general, for any V_1 and V_2 values such that $V_1 \leq V_2$, the energy converted in a cycle by a general Bennet's doubler is obtained by combining (5) and (26):

$$\Delta W = V_1 V_2 C_{max} \left(1 - \frac{V_1/V_2 + 1}{C_{max}/C_{min}} \right) \quad (28)$$

The circuit generates electricity as long as ΔW in (28) is positive, i.e., when

$$V_1/V_2 < C_{max}/C_{min} - 1. \quad (29)$$

By consequence, the advantage of the Bennet's doubler with voltages V_1 and V_2 given by (27), is a compatibility with transducers having ratio C_{max}/C_{min} less than 2 if $k > 1$. The corresponding QV cycle is given in Fig. 11.

D. Comparison of Bennet's doubler and the charge pump

The energy conversion yield of circuits implementing rectangular QV cycles was discussed in Sec. II, and the results are fully applicable to both the circuits based on the charge pump and on the Bennet's doubler. It was shown that the efficiency of the conversion is controlled by the ratio V_{st}/V_{res} , and that the optimization depends on which one of the two voltages is fixed. However, V_{res} and V_{st} are defined differently in the two circuits, and a direct comparison can not be done, unless an application case is defined. We propose to study two cases, which are discussed below. The synthesis of this comparison is given in table I, which expresses the energy converted during one QV cycle by all circuits considered in this paper.

(i) The same fixed voltage is applied on the pre-biased capacitor (V_{res} in the chargepump, V_1 in the Bennet's doubler). This is a reasonable assumption from the standpoint of practical applications, since the prebiased capacitor is directly

connected to an interface with the load, and its voltage is likely to be limited by the transistor technology. Setting $V_1 = V_{res} = V_0$, from (28), (27) we obtain the energy converted in one cycle by the Bennet's doubler:

$$\Delta W = kC_{min}V_0^2 \left(\frac{C_{max}}{C_{min}} - \frac{1}{k} - 1 \right). \quad (30)$$

The maximal energy produced in a cycle by the charge pump circuit with a fixed V_{res} is given by (10), where, for the comparison, V_{res} should be substituted by V_0 . Let us now compare this maximal energy with the value given for (30), for different k .

If $k = 1$ (basic Bennet's doubler), the charge pump is advantageous for any value of C_{max}/C_{min} (note that for $C_{max}/C_{min} < 2$, the basic Bennet's doubler does not work, cf. (29)). However, for large k (so that $1/k$ can be neglected in (30)), the comparison is mitigated: for $C_{max}/C_{min} > 4k + 1$ the charge pump is more advantageous. However, for the cases where C_{max}/C_{min} is small and comparable with unity (which is very common with MEMS devices), the Bennet's doubler with multiplication becomes much more interesting. The price to pay for this improvement is a high maximum voltage V_{st} which should be supported by the transducer and the diodes: it is equal to $(k + 1)V_0$.

(ii) For this reason, another case is relevant, when the *maximum* voltage supported by the transducer (V_{st}) is fixed to V_{max} by the transistor/diode technology, or by the limitations of the electromechanical device. The maximal energy provided by the charge pump at fixed V_{st} is given by (8): For the comparison, V_{st} should be substituted with V_{max} .

In order to compare the maximal energy yield of the charge pump with that of the Bennet's doubler, V_1 and V_2 should be expressed through V_{max} . Setting $V_{st} = V_{max}$ in (26), we recalculate the voltages of the Bennet's doubler $V_1 = V_{max}/(k + 1)$, $V_2 = kV_{max}/(k + 1)$, and we obtain the energy converted in one cycle:

$$\Delta W = C_{min}V_{max}^2 \frac{k}{(k + 1)^2} \left(\frac{C_{max}}{C_{min}} - \frac{1}{k} - 1 \right). \quad (31)$$

The comparison shows that a conventional Bennet's doubler ($k = 1$) is less advantageous than the charge pump for C_{max}/C_{min} comparable to unity, and for large C_{max}/C_{min} they offers equivalent yields. If k is large (so that $k \gg 1$), the charge pump is still more efficient for $C_{max}/C_{min} > k/(k - 4)$, and the Bennet's doubler is only advantageous for $1 + 1/k < C_{max}/C_{min} < k/(k - 4)$.

As a conclusion, the Bennet's doubler has a better power yield for cases when C_{max}/C_{min} is small, a voltage multiplier is used and there is no major limitation on the maximum voltage supported by the devices. In all other cases, the charge pump allows a greater or similar converted power. However, the price to pay for this advantage is the need of an external control for the charge pump and of an inductor which is complicated to integrate. For a steady optimal operation, the voltage V_{st} should be maintained at its optimal value defined by the C_{max}/C_{min} ratio, and this costs power and complexity.

Energy converted by cycle		Const. Volt. Circuit	Roundy Charge Pump	Bennet Doubler	Bennet Doubler+multiplier
V_0 fixed	General formula	$\frac{1}{2}V_0^2 C_{min}(\gamma - 1)^a$	$\frac{1}{4}V_0^2 C_{min}(\gamma - 1)^2$	$C_{min}V_0^2(\gamma - 2)$	$kC_{min}V_0^2\left(\gamma - \frac{1}{k} - 1\right)$
	$\gamma \gg 1$	$\frac{1}{2}V_0^2 C_{max}$	$\frac{1}{4}V_0^2 C_{max}\gamma$	$V_0^2 C_{max}$	$kC_{max}V_0^2$
	$1 \lesssim \gamma < 2$	$\frac{1}{2}V_0^2 C_{min}(\gamma - 1)$	$\frac{1}{4}V_0^2 C_{min}(\gamma - 1)^2$	Not applicable	$kC_{min}V_0^2\left(\gamma - \frac{1}{k} - 1\right)^b$
V_{max} fixed	General formula	$\frac{1}{2}V_{max}^2 C_{min}(\gamma - 1)$	$\frac{1}{4}V_{max}^2 C_{min}\gamma^{-1}(\gamma - 1)^2$	$\frac{1}{4}V_{max}^2 C_{min}(\gamma - 2)$	$\frac{k}{(k+1)^2}V_{max}^2 C_{min}\left(\gamma - \frac{1}{k} - 1\right)$
	$\gamma \gg 1$	$\frac{1}{2}V_{max}^2 C_{max}$	$\frac{1}{4}V_{max}^2 C_{max}$	$\frac{1}{4}V_{max}^2 C_{max}$	$\frac{k}{(k+1)^2}V_{max}^2 C_{max}$
	$1 \lesssim \gamma < 2$	$\frac{1}{2}V_{max}^2 C_{min}(\gamma - 1)$	$\frac{1}{4}V_{max}^2 C_{min}(\gamma - 1)^2$	Not applicable	$\frac{k}{(k+1)^2}V_{max}^2 C_{min}\left(\gamma - \frac{1}{k} - 1\right)$

TABLE I

ENERGY CONVERTED DURING A CYCLE BY DIFFERENT CONSIDERED CONDITIONING CIRCUITS IMPLEMENTING RECTANGULAR QV DIAGRAM, FOR TWO CASES: (I) THE MAXIMAL SUPPORTABLE VOLTAGE IS FIXED (V_{max}), (II) THE INITIAL AVAILABLE PRE-CHARGE VOLTAGE IS FIXED (V_0). THE FOLLOWING PARAMETERS ARE USED: $C_{max}/C_{min} = \gamma$.

^aFor the constant voltage circuit, the available voltage source generates the maximal voltage applied on the transducer during the cycle. Hence, V_0 and V_{max} are the same, and the same formulae are used in the table.

^bHere it is supposed that $\gamma - 1 > 1/k$.

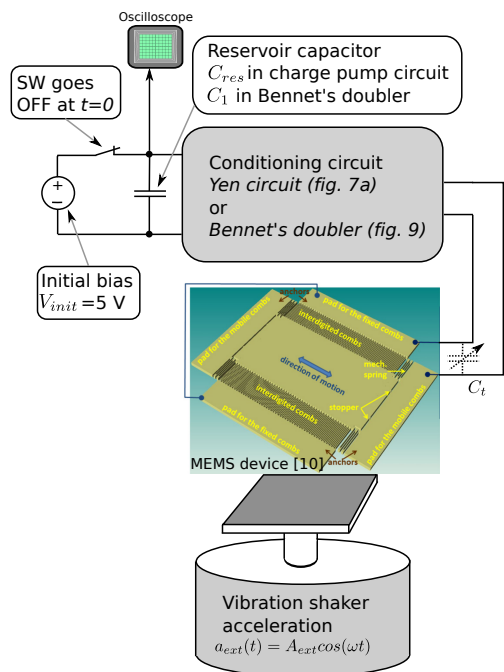


Fig. 12. Diagram describing the experiment highlighting the increase of internal energy of considered conditioning circuits in autonomous mode.

IV. EXPERIMENTAL RESULTS

Several studies have addressed experimental validation of different circuits with rectangular QV cycle. Most of them implemented the self-increasing operation. The study of this "accumulative" (loadless) mode is particularly interesting, since it provides a characterization of the power conversion for a range of the bias voltage. The value of the converted power is given by the rate of the energy evolution on the reservoir capacitor. In the accumulative mode, the circuits highlights an exponential increase of the voltage on C_{res} in the charge pump [4][10], or on C_1 in the Bennet's doubler [18]. In the experiments where macroscopic variable capacitors are used, this increase of voltage reaches hundreds or thousands of volts, provoking an electrical break-down of the used insulator. Few experiments successfully conditioned microscale MEMS

devices with circuits implementing rectangular QV cycles [22][23]. The diagram of the experiment is presented in Fig. 12. The used MEMS device is a micro resonator associated to a capacitive transducer presented and characterized in [11]. The MEMS device was submitted to sinusoidal external vibrations, with fixed frequency and amplitude.

Both Bennet's doubler (Fig. 9) and charge pump based circuit with inductive flyback (Fig. 7a) were implemented with discrete elements, and tested with the above mentioned MEMS transducer. In the charge pump circuit, the flyback switch SW was driven by a fixed periodic sequence. Both circuits, when operating in accumulative mode, demonstrated a similar behavior different from the case when a macroscopic variable capacitor was used (cf. Fig. 13). At low bias voltages, the increase of the internal energy is exponential. At moderate and high voltages (above 15 V), the circuit displayed a slowing down and then a saturation of the internal energy of the system. This is because the electrical forces generated by the strongly biased MEMS capacitor interact with the mechanical dynamics of the MEMS resonator. This results in a modification of the resonance frequency, the pull-in phenomena, etc. Such a behavior cannot be explained in the frame of the purely electrical model used in this article. For that reason, the Part 2 of the article presents a methodology of electromechanical analysis of the system, and provides a formal characterisation of the coupled behavior of the harvester.

Fig. 13a presents the evolution of the V_{res} and V_{st} voltages in a charge pump obtained in the experimental setup described in [24], as the switch is driven by a fixed periodic time sequence, as in [10]. The autocalibration mechanism was not implemented, but since the parameters of the external vibrations were fixed, this time sequence was optimized so to maximize the output power. The evolution of V_{st} voltage is locally similar to the theoretical behavior presented in Fig. 8.

The originality of this experiment is in the use of an integrated MOS switch implemented in a high voltage 0.35 μm technology, interfaced with low voltage (3.3 V) command circuit through a ultra low power static level shifter presented in [16] (cf. discussion at the end of Sec. III-B).

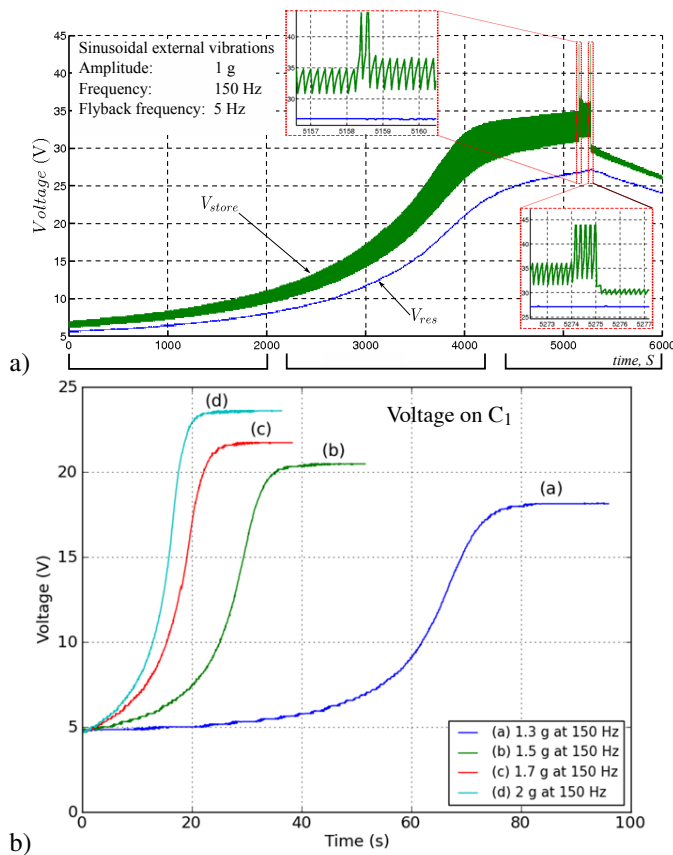


Fig. 13. Experimental results obtained for: (a) charge pump with inductive flyback, measurement setup is described in [24] (b) Bennet's doubler used with a MEMS device described in [11]. The parameters of the experiment are given in the plots.

V. CONCLUSIONS

This study, Part 1, presented an original vision unifying the theory of several structurally different conditioning circuits for electrostatic kinetic energy harvesters, by considering the QV cycle as their common and fundamental characteristic. This approach provides a comprehensive methodology for design and optimization, by defining three separate steps: (i) selection of the optimal dynamic biasing of the transducer (QV cycle), (ii) selection of the architecture implementing it (iii) selection of the optimal electrical mode of this architecture. It was formally shown that the energy yield of the circuits with rectangular QV cycle is determined by the ratio between the extreme voltages V_{res} and V_{st} characterizing the cycle geometry. This provides a comprehensive tool for selecting the optimal operation mode as a function of the parameters of the transducer (the ratio C_{max}/C_{min}) or of the electrical limitations imposed by the technological context (maximal supported voltage, maximum available external DC voltage).

The paper considered two families of circuits implementing a rectangular QV cycle: circuits based on the Roundy charge pump, and circuits based on Bennet's doubler. Whereas Bennet's doubler based circuits do not require any external control for steady energy conversion, a charge pump needs to be periodically de-saturated with a flyback circuit, with use of an externally controlled inductive DC-DC converter.

However, the simplicity of implementation of the Bennet's

doubler circuit has a cost: an impossibility to adapt its operation to dynamic variation of the ratio C_{max}/C_{min} . Such a variation is highlighted by both the experiment and the theory; the reason for this variation may be external (variation in the amplitude of the external vibrations) or internal (compressing of the mobile mass amplitude because of the electromechanical coupling). In the both cases, the Roundy charge pump with inductive flyback, when provided with a smart electronics, is able to adapt the voltages V_{res} and V_{st} so as to keep an optimal mode of the energy conversion. In the case of the Bennet's doubler, the ratio V_{st}/V_{res} is defined by the circuit topology, and can not be dynamically modified. For this reason, the Bennet's doubler is only efficient for a specific range of amplitudes of the mobile mass.

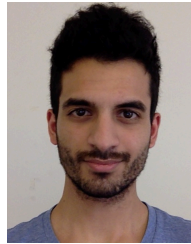
The Bennet's doubler with high multiplication factor is particularly interesting in configurations when the ratio C_{max}/C_{min} is weak: this is a frequent situation with MEMS capacitive transducers, and this topology has a high potential for practical implementations in microscale harvesters.

The analysis presented in this article was made in the electrical domain: it means that the starting hypothesis is a fixed and known law of the transducer's capacitance variation. The latter requires a knowledge of the amplitude of the mobile mass vibrations, which, in turn, requires a coupled analysis of the system in both mechanical and electrical domains. This is the subject of the Part 2 of the paper.

REFERENCES

- [1] P. D. Mitcheson, E. M. Yeatman, K. G. Rao, A. S. Holmes, and T. C. Green, "Energy harvesting from human and machine motion for wireless electronic devices," *Proceedings of the IEEE*, vol. 96, no. 9, pp. 1457–1486, 2008.
- [2] T. Galchev, E. E. Aktakka, and K. Najafi, "A Piezoelectric Parametric Frequency Increased Generator for Harvesting Low-Frequency Vibrations," *Journal of Microelectromechanical Systems*, vol. 21, no. 6, pp. 1311–1320, Dec. 2012.
- [3] E. Torres and G. Rincón-Mora, "Electrostatic energy-harvesting and battery-charging cmos system prototype," *Circuits and Systems I: Regular Papers, IEEE Transactions on*, vol. 56, no. 9, pp. 1938–1948, 2009.
- [4] A. Kempitaya, D.-A. Borca-Tasciuc, and M. M. Hella, "Low-Power Interface IC for Tri-plate Electrostatic Energy Converters," *IEEE Transactions on Power Electronics*, vol. 28, no. 2, pp. 609–614, Feb. 2013.
- [5] Y. Naruse, N. Matsubara, K. Mabuchi, M. Izumi, and S. Suzuki, "Electrostatic micro power generation from low-frequency vibration such as human motion," *Journal of Micromechanics and Microengineering*, vol. 19, p. 094002, 2009.
- [6] S. Meninger, J. Mur-Miranda, R. Amirtharajah, A. Chandrakasan, and J. Lang, "Vibration-to-electric energy conversion," *Very Large Scale Integration (VLSI) Systems, IEEE Transactions on*, vol. 9, no. 1, pp. 64–76, 2001.
- [7] P. D. Mitcheson, T. Sterken, C. He, M. Kiziroglou, E. Yeatman, and R. Pueres, "Electrostatic microgenerators," *Measurement and Control*, vol. 41, no. 4, pp. 114–119, 2008.
- [8] S. Roundy, P. Wright, and K. Pister, "Micro-electrostatic vibration-to-electricity converters," *Proceedings of 2002 ASME International Mechanical Engineering Congress*, november 2002.
- [9] E. Blokhina, D. Galayko, P. Basset, and O. Feely, "Steady-state oscillations in resonant electrostatic vibration energy harvesters," *Circuits and Systems I: Regular Papers, IEEE Transactions on*, vol. 60, no. 4, pp. 875–884, 2013.
- [10] B. C. Yen and J. H. Lang, "A Variable-Capacitance Vibration-to-Electric Energy Harvester," *IEEE Transaction on Circuits and Systems-I: Regular papers IEEE*, vol. 53, no. 2, pp. 288–295, 2006.
- [11] P. Basset, D. Galayko, F. Cottone, R. Guillemet, E. Blokhina, F. Marty, and T. Bourouina, "Electrostatic vibration energy harvester with combined effect of electrical nonlinearities and mechanical impact," *J. of Micromechanics and Microengineering*, vol. 24, no. 3, p. 035001, 2014.

- [12] H. R. Florentino, R. C. S. Freire, A. V. S. Sá, C. Florentino, and D. Galayko, "Electrostatic vibration energy harvester with piezoelectric start-up generator," in *Circuits and Systems (ISCAS), 2011 IEEE International Symposium on*. IEEE, 2011, pp. 1343–1346.
- [13] A. Nayfeh, *Introduction to perturbation techniques*. Wiley, 1993.
- [14] D. Galayko, R. Pizarro, P. Basset, and A. Paracha, "AMS modeling of controlled switch for design optimization of capacitive vibration energy harvester," in *IEEE International Workshop on Behavioral Modeling and Simulation*. IEEE, 2007, pp. 115–120.
- [15] A. Dudka, D. Galayko, E. Blokhina, and P. Basset, "Smart integrated conditioning electronics for electrostatic vibration energy harvesters," in *Circuits and Systems (ISCAS), 2014 IEEE International Symposium on*. IEEE, 2014, pp. 2600–2603.
- [16] A. Dudka, D. Galayko, and P. Basset, "Design of Controller IC for Asynchronous Conditioning Circuit of an Electrostatic Vibration Energy Harvester," in *IEEE International Conference on Internet of Things, 2012 Workshop on energy and Wireless Sensors*, 2012.
- [17] A. Bennet and R. Kaye, "An account of a doubler of electricity, or a machine by which the least conceivable quantity of positive or negative electricity may be continually doubled, till it becomes perceptible by common electrometers, or visible in sparks," *Philosophical Trans. of the Royal Society of London*, vol. 77, pp. 288–296, 1787.
- [18] A. C. M. de Queiroz and M. Domingues, "The doubler of electricity used as battery charger," *Circuits and Systems II: Express Briefs, IEEE Transactions on*, vol. 58, no. 12, pp. 797–801, 2011.
- [19] S. Risquez, J. Wei, M. Woytasik, F. Parrain, and E. Lefeuvre, "Self-biased inductor-less interface circuit for electret-free electrostatic energy harvesters," in *J. of Physics: Conf. Series*, vol. 557, no. 1. IOP Publishing, 2014, pp. 12 052–12 056.
- [20] V. Dragunov and V. Dorzhiev, "Electrostatic vibration energy harvester with increased charging current," in *J. of Physics: Conf. Series*, vol. 476, no. 1. IOP Publishing, 2013, p. 012115.
- [21] V. Dorzhiev, A. Karami, P. Basset, F. Marty, V. Dragunov, and D. Galayko, "Electret-free micromachined silicon electrostatic vibration energy harvester with the bennet's doubler as conditioning circuit," *Electron Device Letters*, vol. 36, no. 2, pp. 183–135, 2014.
- [22] V. Dorzhiev, A. Karami, P. Basset, V. Dragunov, and D. Galayko, "Mems electrostatic vibration energy harvester without switches and inductive elements," in *J. of Physics: Conf. Series*, vol. 557, no. 1. IOP Publishing, 2014, pp. 12 126–12 130.
- [23] D. Galayko, A. Dudka, and P. Basset, "Capacitive kinetic energy harvesting: system-level engineering challenges," in *21th IEEE International Conference on Electronic Circuits and Systems*, December 2014.
- [24] A. Dudka, P. Basset, F. Cottone, E. Blokhina, and D. Galayko, "Wide-band electrostatic vibration energy harvester (e-veh) having a low start-up voltage employing a high-voltage integrated interface," in *J. of Physics: Conf. Series*, vol. 476, no. 1. IOP Publishing, 2013, p. 012127.



Armine Karami was born in Paris, France, in 1991. He received the M.S degree in electrical engineering from Université Pierre et Marie Curie – Paris 6 (UPMC) in 2014. He is currently pursuing a Ph.D degree in Université Pierre et Marie Curie (UPMC) – Paris 6, at the Laboratoire d'Informatique de Paris 6. His Ph.D research is focused on the theory, conception and analysis of conditioning circuits for vibration energy harvesting.



Eoghan O'Riordan received the B.E. degree in electrical engineering from University College Dublin in 2012. He is currently working toward a Ph.D. degree in at UCD. His research interests include nonlinear dynamics, and vibration energy harvesting.



Elena Blokhina (S'05 - M'06 - SM'13) received the M.Sc. and Ph.D. degrees in physics from Saratov State University, Saratov, Russia, in 2002 and 2005, respectively. From 2005 to 2007, she was a Research Scientist at Saratov State University, where she worked in the area of analysis and modeling of microwave electron devices. Since 2007, she has been with University College Dublin, Dublin, Ireland, where she currently is a lecturer and the research manager of the Circuits and Systems Research Group. Her research interests include nonlinear

dynamics and oscillation theory and their application to the analysis of MEMS and energy harvesters. Dr Blokhina is a Senior IEEE member and is a member of the IEEE Technical Committee on Nonlinear Circuits and Systems. She has been elected to serve in the Board of Governors of the IEEE Circuits and Systems society for the term 2013-2015. She has served as a reviewer and review committee member for a number of international journals and conferences on circuits and systems, nonlinear dynamics and numerical modelling. In 2013 and 2014, she has served as the track co-chair for Nonlinear Circuits and Systems, Neural Networks at the IEEE International Conference on Electronics, Circuits and Systems and the track chair for Nonlinear Circuits and Systems as the IEEE International Symposium of Circuits and Systems.



Dimitri Galayko (M12) graduated from Odessa State Polytechnic University (Ukraine) in 1998, he received his master degree from Institut of Applied Sciences of Lyon (INSA-LYON, France) in 1999. He made his PhD thesis in the Institute of Microelectronics and Nanotechnologies (IEMN, Lille, France) and received the PhD degree from the University Lille-I in 2002. The topic of his PhD dissertation was the design of microelectromechanical silicon filters and resonators for radiocommunications. Since 2005 he is an associate professor in University Paris VI (UPMC, Sorbonne Universités) in the LIP6 laboratory. His research interests include study, modeling and design of nonlinear integrated circuits for sensor interface and for mixed-signal applications.



Andrii Dudka received a Master degree in computer science and electronics from Odessa National Polytechnic University, Ukraine, in 2008, and the Ph.D. degree in electrical engineering from the Pierre and Marie Curie University, lab. LIP6, France, in 2014. He is currently a postdoctoral researcher at University of Bordeaux, lab. IMS. His research interests are in the areas energy harvesting from vibrations, micropower generation and conversion using MEMS devices, analog electronics, ASICs.



Orla Feely (S85M86SM00F09) received the B.E. degree in electronic engineering from University College Dublin (UCD) in 1986, and the M.S. and Ph.D. degrees in electrical engineering from the University of California, Berkeley, in 1990 and 1992. She joined UCD in 1992 and is currently Vice-President for Research, Innovation and Impact. Her research interests lie in the area of nonlinear dynamics of electronic circuits. Prof. Feely is a Fellow of the IEEE, Engineers Ireland and the Irish Academy of Engineering. She received the Best Paper Awards of the International Journal of Circuit Theory and Applications, 2007, and the European Conference on Circuit Theory and Design, 1997. Her Ph.D. thesis won the D. J. Sakrison Memorial Prize for outstanding and innovative research, awarded annually by the Department of Electrical Engineering and Computer Science, U. C. Berkeley. She serves / has served on the Editorial Boards of the IEEE Transactions on Circuits and Systems and the International Journal of Circuit Theory and Applications, and as Chair of the IEEE Technical Committee on Nonlinear Circuits and Systems. Prof. Feely is Chair of the Irish Research Council.



Philippe Basset received its engineering diploma in electronic from ISEN Lille, France, in 1997, its M.Sc and Ph.D from IEMN University of Lille in 1999 and 2003 respectively. In 2004 he was a post-doc at CMU, Pittsburgh, USA. In 2005 he joined ESIEE Paris at the Universit Paris-Est, France, where he is currently an associate professor. His research interests include micro/nano-structuration of silicon and micropower sources for autonomous MEMS. He led several projects on energy harvesting using micro- and nano- technologies and he serves in the

TPC of the PowerMEMS conference since 2013. Member of the ESYCOM laboratory, he is currently leading the Sensors and Measuring MEMS group